



Features:

- AC input voltage range selected by switch
- Small volume, low weight, high efficiency
- Protections : short circuit/over load/over voltage/over temp
- Cooling by free air convection
- LED indicator for power on
- 100% full load burn-in test
- 2 Years warranty



Dimension: 199 × 99 × 48mm

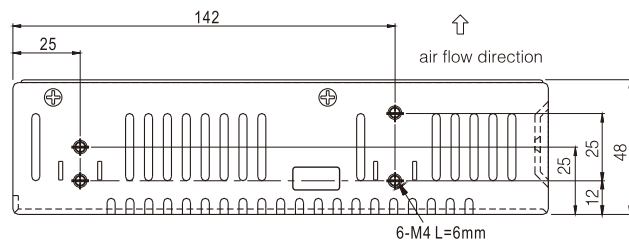
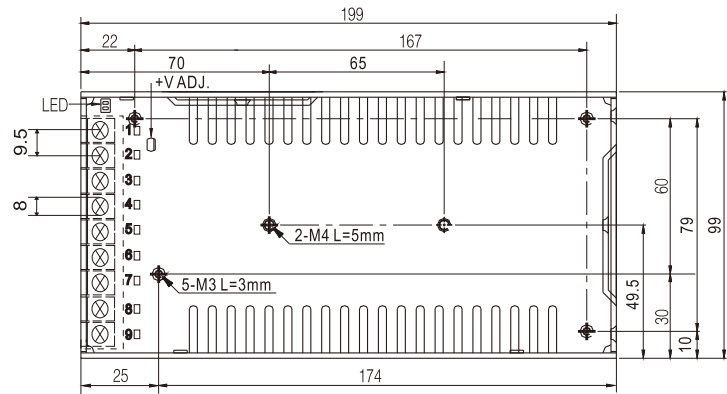
SPECIFICATION

Model		HS-250E-5	HS-250E-12	HS-250E-15	HS-250E-24
Output	DC voltage	5V	12V	15V	24V
	Voltage tolerance	± 1%	± 1%	± 1%	± 1%
	Rated current	40A	20A	16A	10A
	Current range	0 ~ 40A	0 ~ 20A	0 ~ 16A	0 ~ 10A
	Rated power	200W	240W	240W	240W
	Ripple&noise	150mVp-p	150mVp-p	180mVp-p	200mVp-p
	DC voltage ADJ. range	± 10%	± 10%	± 10%	± 10%
	Setup, rise, hold up time	1000ms,100ms,30ms/230VAC.			
Input	Voltage range	90 ~ 132VAC 180 ~ 264VAC (Selected by switch ) 47 ~ 63Hz, 255 ~ 373VDC			
	AC current	5A/115V 2.5A/230VAC			
	Efficiency	80%	83%	83%	85%
	Inrush current	Cold start 18A/115V 36A/230VAC			
	leakage current	< 3.5mA/240VAC			
Protection	Overload	Rated output power110% ~ 150%Start overload protection			
		Protection type: hiccup mode, auto-recovery after fault condition is removed			
	Over voltage	Rated output power115% ~ 135%Start overload protection			
		Protection type: hiccup mode, auto-recovery after fault condition is removed			
Over temperature	≥85°C ± 5°C(TSW1detect on heatsink of power transistor)				
	Protection mode: cutoff output, auto-recovery after temperature become normal				
Environment	Working temp, humidity	-20°C ~ +60°C;20% ~ 90%RH(Please refer to "derating curve" )			
	Storage temp, humidity	-40°C ~ +85°C;10% ~ 95%RH Non-condensing			
	Withstand vibration	10 ~ 500Hz, 5G 10min./1Cycle, Period for 60min, Each axes			
Safety	Withstand voltage	I/P-O/P: 1.5KVAC I/P-FG: 1.5KVAC O/P-FG: 0.5KVAC			
	Isolation resistance	I/P-O/P: I/P-FG,O/P-FG: 100M Ohms/500VDC			
Fit standard	Safety standard	Compliance to UL 62368-1,TUV 62368-1,EN 62368-1			
	EMC Standard	Compliance to EN 55032, CLASSA			
Others	Dimension	199*99*48mm ( L*W*H )			
	Weight	0.70kg/24pcs/17.5kg/1.20CUFT			

Note: 1. All parameters NOT specially mentioned are measured at 230VAC input, rated load and 25°C of ambient temperature.  
 2. Ripple & noise are measured at 20MHz of bandwidth by using a 12" twisted pair-wire terminated with a 0.1uf & 47uf parallel capacitor.  
 3. Tolerance : includes set up tolerance, line regulation and load regulation.

Mechanical specification

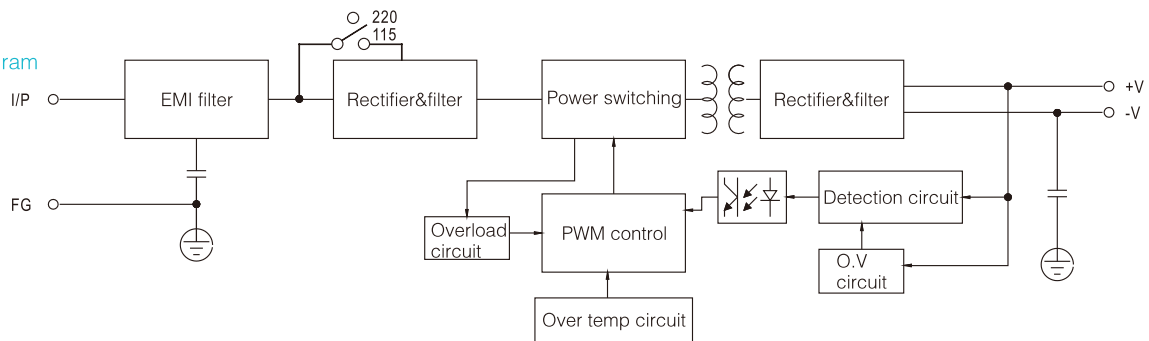
Unit:mm



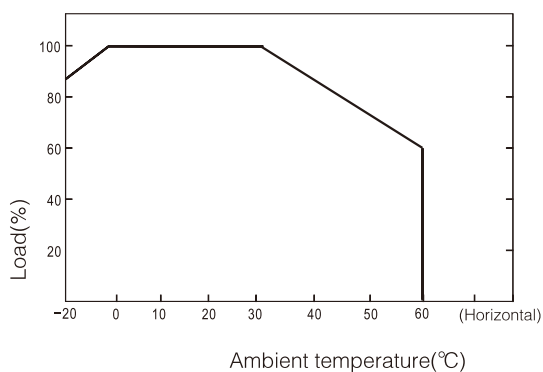
Terminal Pin No.Assignment

Pin No.	Assignment	Pin No.	Assignment
8	AC/L	4 ~ 6	DC OUTPUT -V
9	AC/N	1 ~ 3	DC OUTPUT +V
7	FG $\perp$		

Block diagram



Derating curve



Static characteristic

