



Features:

- Constant voltage design
- Universal AC input/Full range
- Small volume, low weight, high efficiency
- Protections : short circuit/over load/over voltage/over temp
- Cooling by free air convection
- Fully encapsulated with IP67 level
- 100% full load burn-in test
- 2 Years warranty

Dimension: 185 × 69 × 43mm



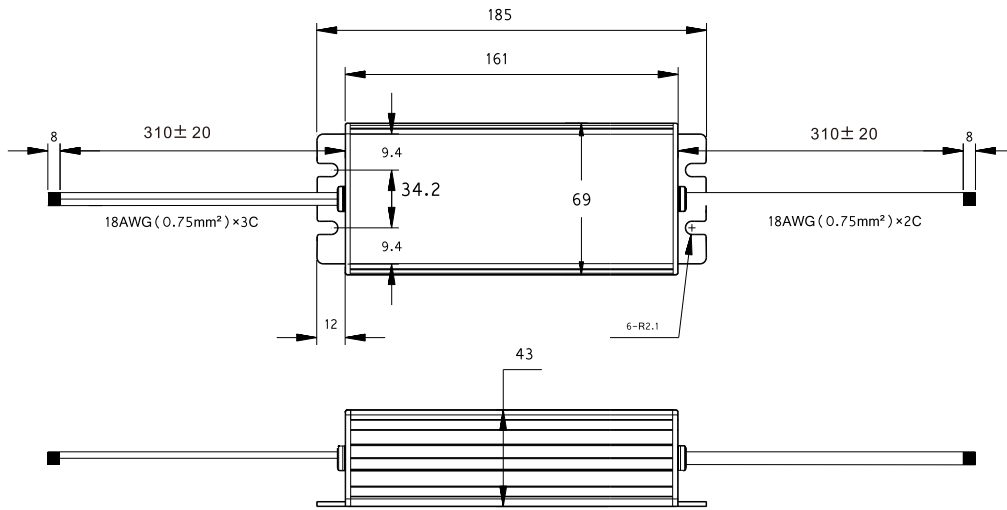
SPECIFICATION

| Model | | LPV-100-12 | LPV-100-24 | LPV-100-36 |
|------------------|---|--|--------------|------------|
| Output | DC voltage | 12V | 24V | 36V |
| | Voltage tolerance | ± 3% | ± 2% | ± 2% |
| | Rated current | 8.5A | 4.2A | 2.8A |
| | Current range | 0 ~ 8.5A | 0 ~ 4.2A | 0 ~ 2.8A |
| | Rated power | 102W | 100.8W | 100.8W |
| | Ripple&noise | 100mVp-p | 150mVp-p | 150mVp-p |
| | Setup, rise, hold up time | 800ms,30ms,24ms/230VAC | | |
| Input | Voltage range | 90 ~ 264VAC 47 ~ 63Hz, 126 ~ 373VDC | | |
| | AC current | 2.4A/115V 1.2A/230VAC | | |
| | Efficiency | 83% | 85% | 86% |
| | Inrush current | Cold start40A/230VAC | | |
| | leakage current | < 2mA/240VAC | | |
| Protection | Overload | Rated output power115% ~ 135%Start overload protection | | |
| | | Protection type: hiccup mode, auto-recovery after fault condition is removed | | |
| | Over voltage | 15.8 ~ 18V | 30.6 ~ 33.6V | 44 ~ 48.6V |
| | | Protection type: hiccup mode, auto-recovery after fault condition is removed | | |
| Over temperature | Case temp ≥ 85°C ± 5°C, Start over temp protection | | | |
| | Protection mode: cutoff output, auto-recovery after temperature become normal | | | |
| Environment | Working temp, humidity | -20°C ~ +60°C;20% ~ 90%RH(Please refer to "derating curve") | | |
| | Storage temp, humidity | -40°C ~ +85°C;10% ~ 95%RH Non-condensing | | |
| | Withstand vibration | 10 ~ 500Hz, 5G 10min./1Cycle, Period for 60min, Each axes | | |
| Safety | Withstand voltage | I/P-O/P: 1.5KVAC I/P-FG: 1.5KVAC O/P-FG: 0.5KVAC | | |
| | Isolation resistance | I/P-O/P: I/P-FG,O/P-FG: 100M Ohms/500VDC | | |
| Fit standard | Safety standard | Compliance to IEC62368-1,UL62368-1, EN62368-1,IEC61347-1,UL61347,EN61347-1 | | |
| | EMC Standard | Compliance to EN55015(CISPR22)Class A, GB9254 Class A,EN55014,EN61000-3-2,3 | | |
| Others | MTBF | 750K hrs min. MIL-HDBK-217F(25°C) | | |
| | Weight/Dimension | 185*69*43mm (L*W*H) | | |
| | Packing | 0.92kg/20pcs/18.5kg/0.026m³/0.92CUFT | | |

Note: 1. All parameters NOT specially mentioned are measured at 230VAC input, rated load and 25°C of ambient temperature.
 2. Ripple & noise are measured at 20MHz of bandwidth by using a 12" twisted pair-wire terminated with a 0.1uf & 47uf parallel capacitor.
 3. Tolerance : includes set up tolerance, line regulation and load regulation.

Mechanical specification

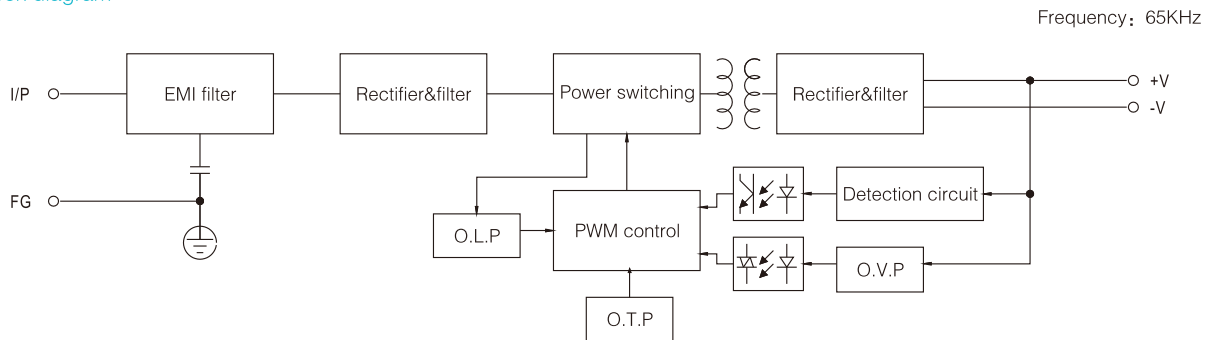
Unit:mm



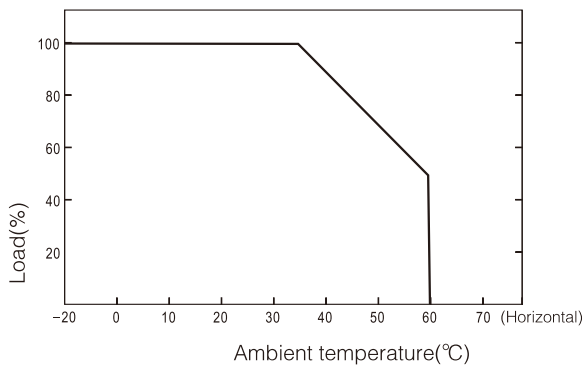
lead-out wire assignment

| Input(Black three-core) | | Output (White two-core) | |
|-------------------------|------------|-------------------------|--------------|
| Brown | AC/L | Red | DC OUTPUT +V |
| Blue | AC/N | Black | DC OUTPUT -V |
| Yellow-green | FG \perp | | |

Block diagram



Derating curve



Static characteristic

