



Features:

- AC input voltage range selected by switch
- Small volume, low weight, high efficiency
- Protections : short circuit/over load/over voltage/over temp
- Cooling by free air convection
- LED indicator for power on
- 100% full load burn-in test
- 2 Years warranty

SPECIFICATION

Dimension: 215 × 115 × 50mm



Model		S-250-12	S-250-15	S-250-24	S-250-48
Output	DC voltage	12V	15V	24V	48V
	Voltage tolerance	± 1%	± 1%	± 1%	± 1%
	Rated current	20A	16A	10A	5.2A
	Current range	0 ~ 20A	0 ~ 16A	0 ~ 10A	0 ~ 5.2A
	Rated power	240W	240W	240W	250W
	Ripple&noise	120mVp-p	150mVp-p	150mVp-p	200mVp-p
	DC voltage ADJ. range	10%	± 10%	± 10%	± 10%
Setup, rise, hold up time		180ms,30ms,30ms/230VAC.			
Input	Voltage range	90 ~ 132VAC/180 ~ 264VAC(Selected by switch)47 ~ 63Hz, 255 ~ 373VDC			
	AC current	5A/115V 2.5A/230VAC			
	Efficiency	80%	80%	82%	84%
	Inrush current	Cold start 50A/230VAC			
	leakage current	< 3.5mA/240VAC			
Protection	Overload	Rated output power105% ~ 135%Start overload protection Protection type : rated current limit , auto-recovery after fault condition is removed			
	Over voltage	15 ~ 17V	18 ~ 20V	28 ~ 30V	56 ~ 58V
	Over temperature	Inner temperature ≥ 85°C Start over temp protection Protection mode: cutoff output, auto-recovery after temperature become normal			
Environment	Working temp, humidity	-20°C ~ +60°C;20% ~ 90%RH(Please refer to "derating curve")			
	Storage temp, humidity	-40°C ~ +85°C;10% ~ 95%RH Non-condensing			
	Withstand vibration	10 ~ 500Hz, 5G 10min./1Cycle, Period for 60min, Each axes			
Safety	Withstand voltage	I/P-O/P: 1.5KVAC I/P-FG: 1.5KVAC O/P-FG: 0.5KVAC			
	Isolation resistance	I/P-O/P: I/P-FG,O/P-FG: 100M Ohms/500VDC			
Fit standard	Safety standard	Compliance to UL 62368-1,TUV 62368-1,EN62368-1			
	EMC Standard	Compliance to EN 55032 CLASS A			
Others	Dimension	215*115*50mm (L*W*H)			
	Packing	0.9kg/24pcs/22.5kg			

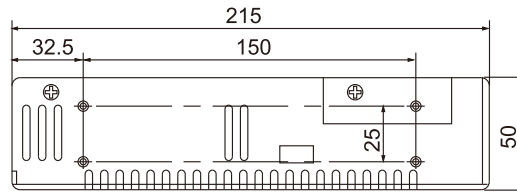
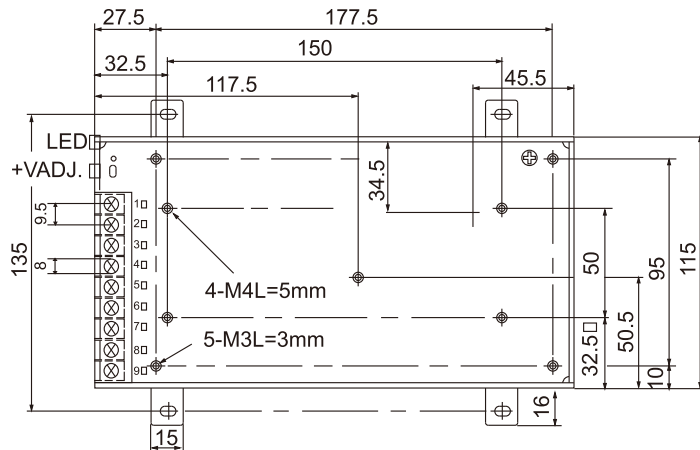
Note: 1. All parameters NOT specially mentioned are measured at 230VAC input, rated load and 25°C of ambient temperature.

2. Ripple & noise are measured at 20MHz of bandwidth by using a 12" twisted pair-wire terminated with a 0.1uf & 47uf parallel capacitor.

3. Tolerance : includes set up tolerance, line regulation and load regulation.

Mechanical specification

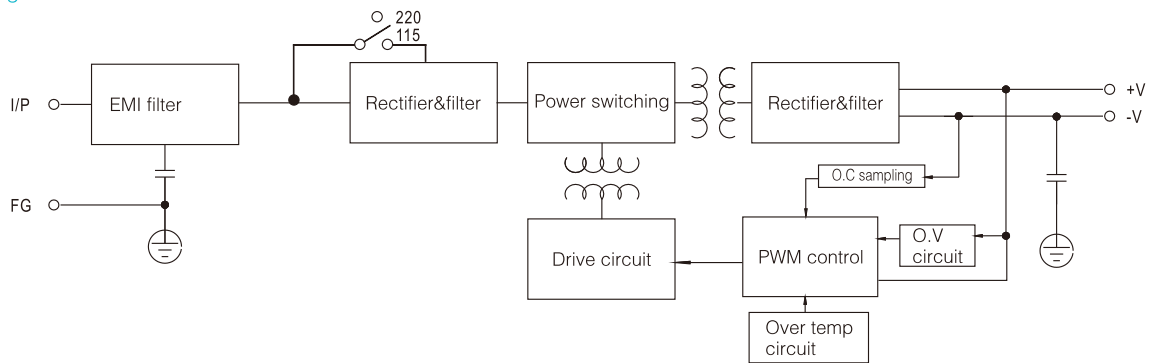
Unit:mm



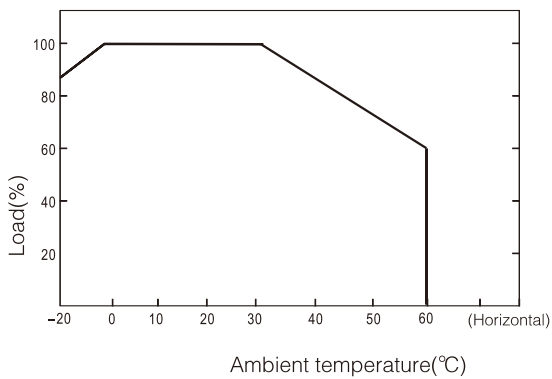
Terminal Pin No. Assignment

Pin No.	Assignment	Pin No.	Assignment
9	AC/L	4~6	DC OUTPUT -V
8	AC/N	1~3	DC OUTPUT +V
7	FG \perp		

Block diagram



Derating curve



Static characteristic

