


**Features:**

- Small volume, low weight, high efficiency
- Protections : short circuit/over load/over voltage/over temp
- Built-in cooling DC fan
- LED indicator for power on
- Can be used parallel connection
- 100% full load burn-in test
- 2 Years warranty


**SPECIFICATION**

Dimension: 247 × 127 × 63.5mm

| Model        |                           | SC-800-12  | SC-800-15 | SC-800-24 | SC-800-27  | SC-800-36 | SC-800-48 |
|--------------|---------------------------|--|-----------|-----------|------------|-----------|-----------|
| Output       | DC voltage                | 12V  | 15V       | 24V       | 27V        | 36V       | 48V       |
|              | Voltage tolerance         | ± 1%   | ± 1%      | ± 1%      | ± 1%       | ± 1%      | ± 1%      |
|              | Rated current             | 66A  | 53A       | 33A       | 29.5A      | 22A       | 16.5A     |
|              | Current range             | 0 ~ 66A  | 0 ~ 53A   | 0 ~ 33A   | 0 ~ 29.5A  | 0 ~ 22A   | 0 ~ 16.5A |
|              | Rated power               | 792W   | 795W      | 792W      | 796W       | 792W      | 792W      |
|              | Ripple&noise              | 200mVp-p   | 200mVp-p  | 240mVp-p  | 240mVp-p   | 300mVp-p  | 300mVp-p  |
|              | DC voltage ADJ. range     | -9% ~ +10%   | ± 10%     | ± 10%     | -9% ~ +10% | ± 10%     | ± 10%     |
|              | Setup, rise, hold up time | 1000ms,50ms,20ms/230VAC  |           |           |            |           |           |
| Input        | Voltage range             | 180 ~ 264VAC 47 ~ 63Hz, 254 ~ 373VDC   |           |           |            |           |           |
|              | AC current                | 16A/115V 8A/230VAC   |           |           |            |           |           |
|              | Efficiency                | 80%  | 81%       | 84%       | 82%        | 83%       | 84%       |
|              | Inrush current            | Cold start 25A/115V 50A/230VAC   |           |           |            |           |           |
|              | leakage current           | < 3.5mA/240VAC   |           |           |            |           |           |
| Protection   | Overload                  | Rated output power 115% ~ 135% Start overload protection<br>protection type: cutoff output, recovery after restart power                   |           |           |            |           |           |
|              | Over voltage              | 15 ~ 16V   | 18 ~ 19V  | 27 ~ 29V  | 33 ~ 35V   | 43 ~ 45V  | 56 ~ 58V  |
|              | Over temperature          | ≥85°C ± 5°C (TSW1 detect on heatsink of power transistor)<br>Protection mode: cutoff output, auto-recovery after temperature become normal |           |           |            |           |           |
| Environment  | Working temp, humidity    | -20°C ~ +60°C; 20% ~ 90%RH (Please refer to "derating curve" )   |           |           |            |           |           |
|              | Storage temp, humidity    | -40°C ~ +85°C; 10% ~ 95%RH Non-condensing  |           |           |            |           |           |
|              | Withstand vibration       | 10 ~ 500Hz, 5G 10min./1Cycle, Period for 60min, Each axes  |           |           |            |           |           |
| Safety       | Withstand voltage         | I/P-O/P: 1.5KVAC I/P-FG: 1.5KVAC O/P-FG: 0.5KVAC   |           |           |            |           |           |
|              | Isolation resistance      | I/P-O/P: I/P-FG, O/P-FG: 100M Ohms/500VDC  |           |           |            |           |           |
| Fit standard | Safety standard           | Compliance to UL 62368-1, TUV 62368-1, EN 62368-1  |           |           |            |           |           |
|              | EMC Standard              | Compliance to EN 55032 CLASS A   |           |           |            |           |           |
| Others       | Dimension                 | 247*127*63.5mm ( L*W*H )   |           |           |            |           |           |
|              | Packing                   | 2.1kg/8pcs/18kg/0.9CUFT  |           |           |            |           |           |

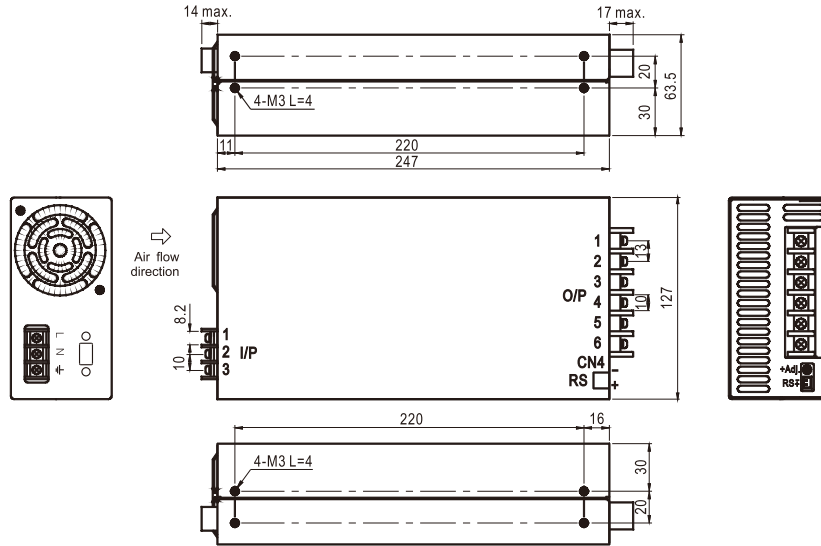
Note: 1. All parameters NOT specially mentioned are measured at 230VAC input, rated load and 25°C of ambient temperature.

2. Ripple &amp; noise are measured at 20MHz of bandwidth by using a 12" twisted pair-wire terminated with a 0.1uf &amp; 47uf parallel capacitor.

3. Tolerance : includes set up tolerance, line regulation and load regulation.

Mechanical specification

Unit:mm



AC input terminal

| Pin No. | Assignment |
|---------|------------|
| 1       | AC/L       |
| 2       | AC/N       |
| 3       | FG $\perp$ |

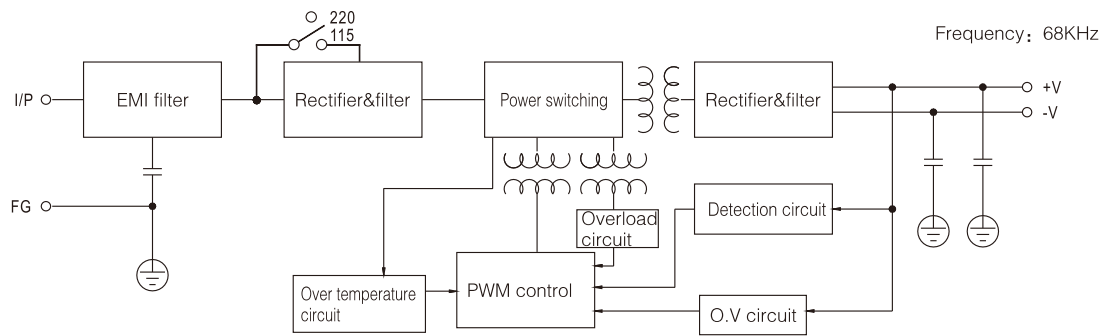
DC output terminal

| Pin No. | Assignment |
|---------|------------|
| 1~3     | +V         |
| 4~6     | -V         |

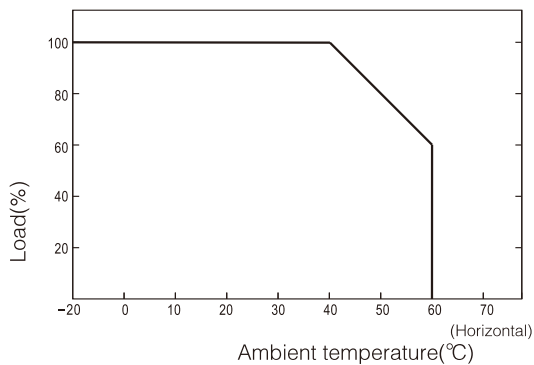
RS connector(CN4): JST B-XH or equivalent

| Pin No. | Assignment | mating housing        | terminal                   |
|---------|------------|-----------------------|----------------------------|
| 1       | +S         | JST XHP or equivalent | JST SXH-001T or equivalent |
| 2       | -S         |                       |                            |

Block diagram



Derating curve



Static characteristic

